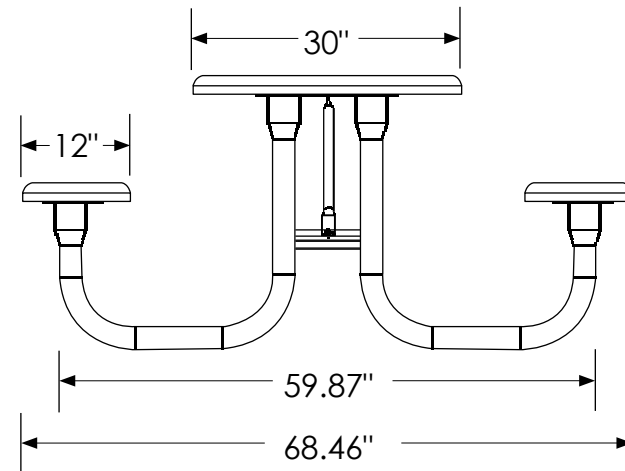
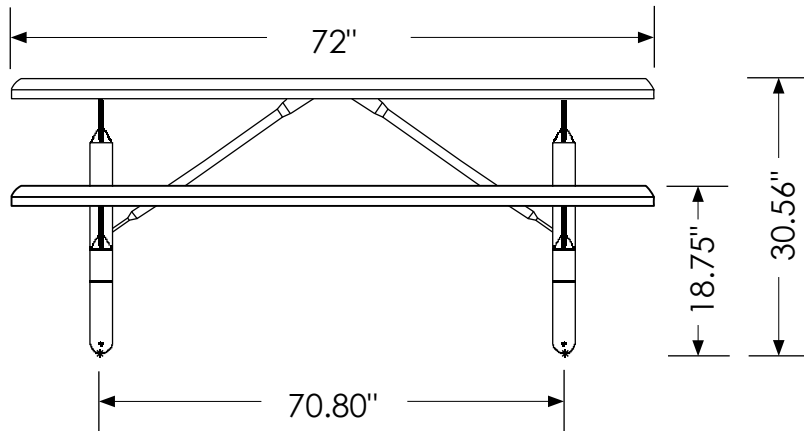
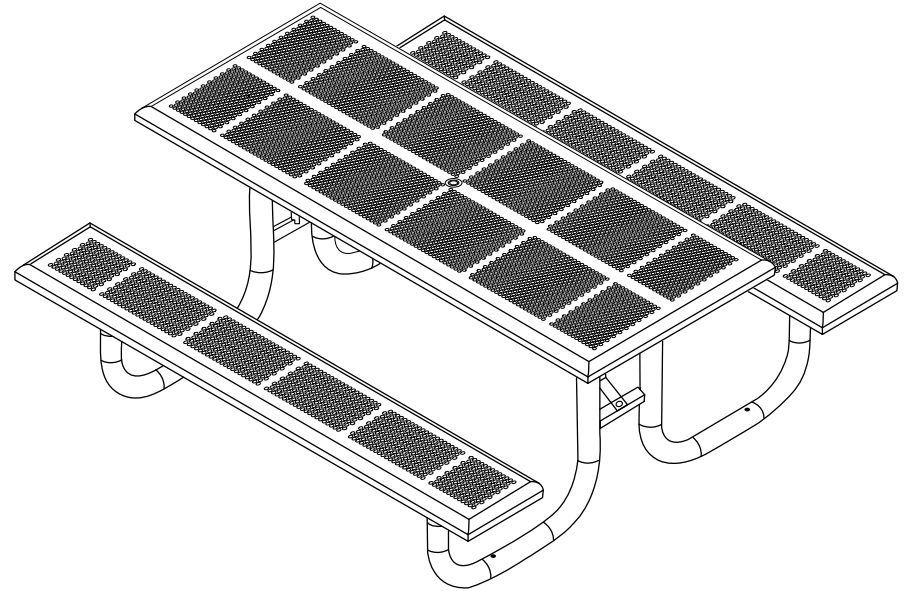
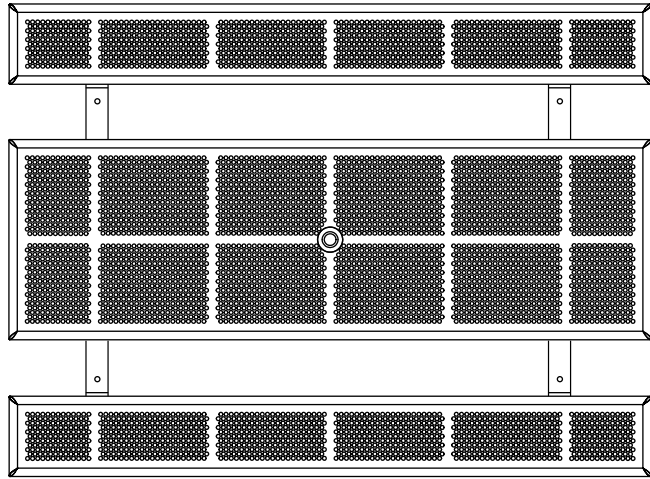


COMFORT™ 6 FT. RECTANGULAR PICNIC TABLE SPECIFICATIONS



TOTAL WEIGHT: 188 lbs

NOTES:

- 1) Material: Bench Top - Steel with Thermoplastic Coating;
Frames - Steel with Powder Coating
- 2) Assembly hardware included
- 3) Surface mount hardware not included