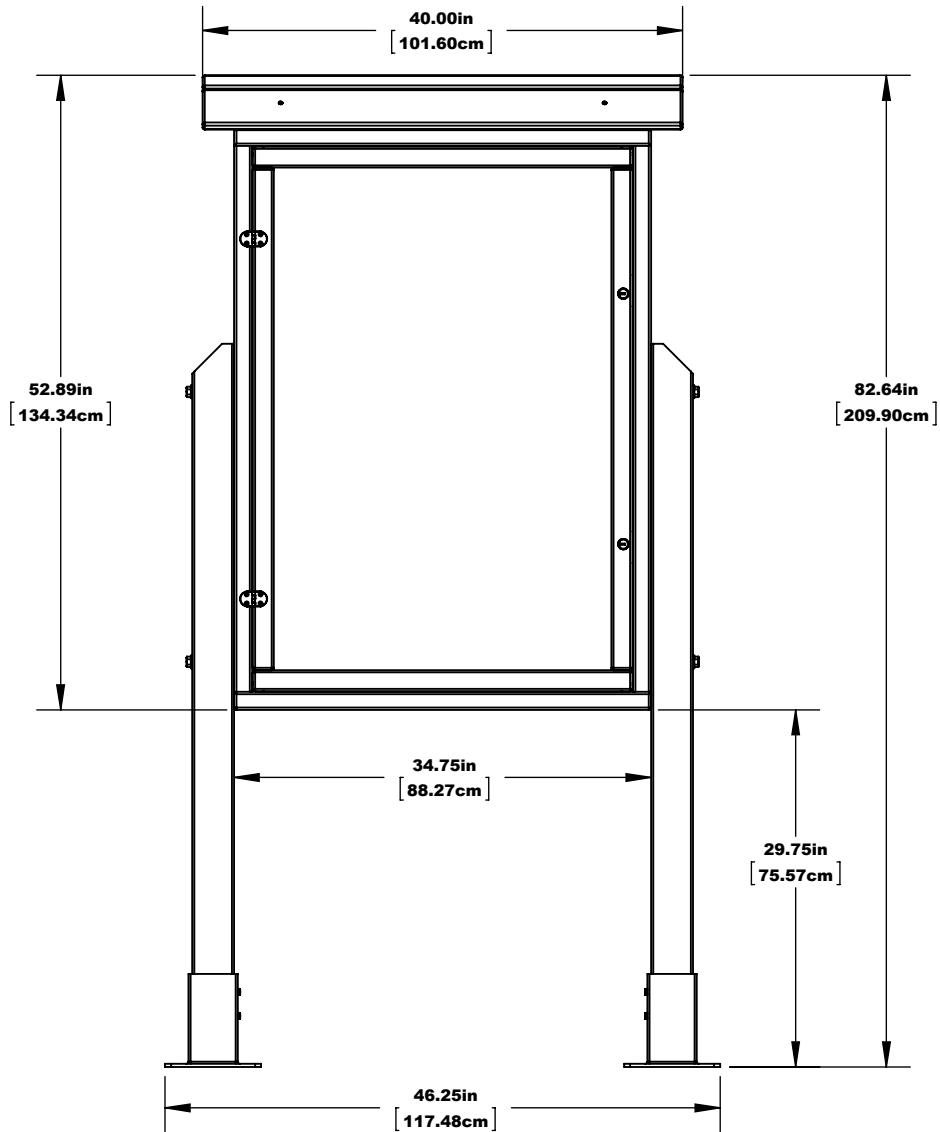
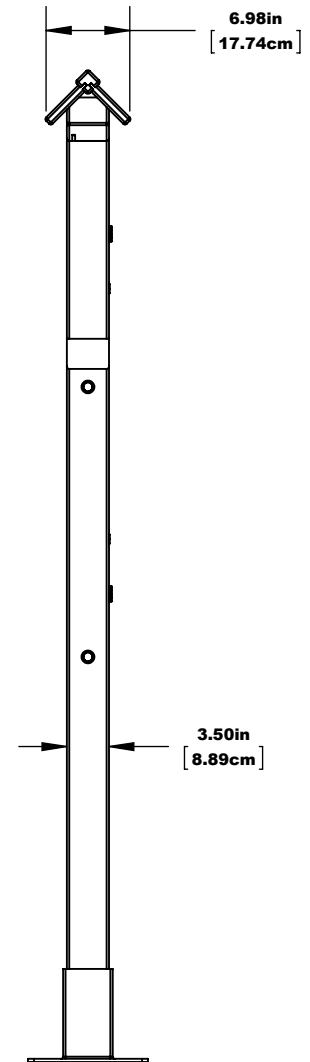


LARGE VERTICAL MESSAGE CENTER SURFACE MOUNT

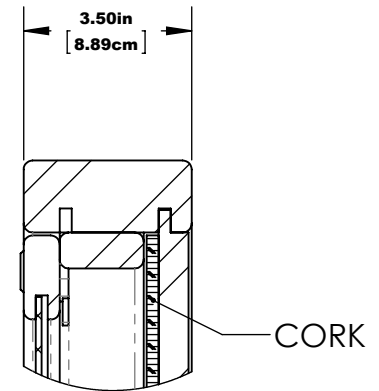
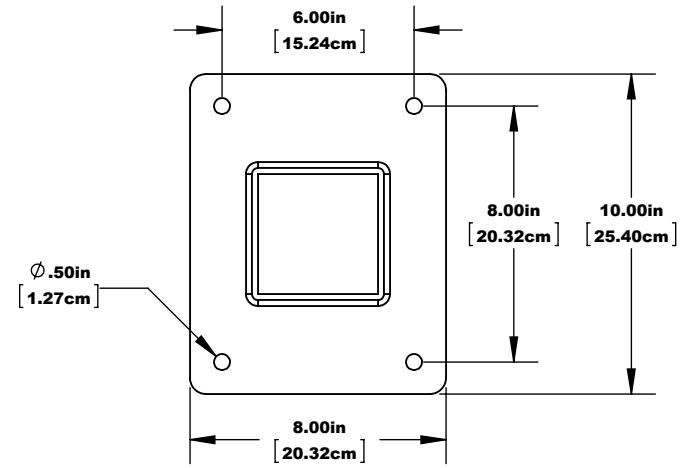
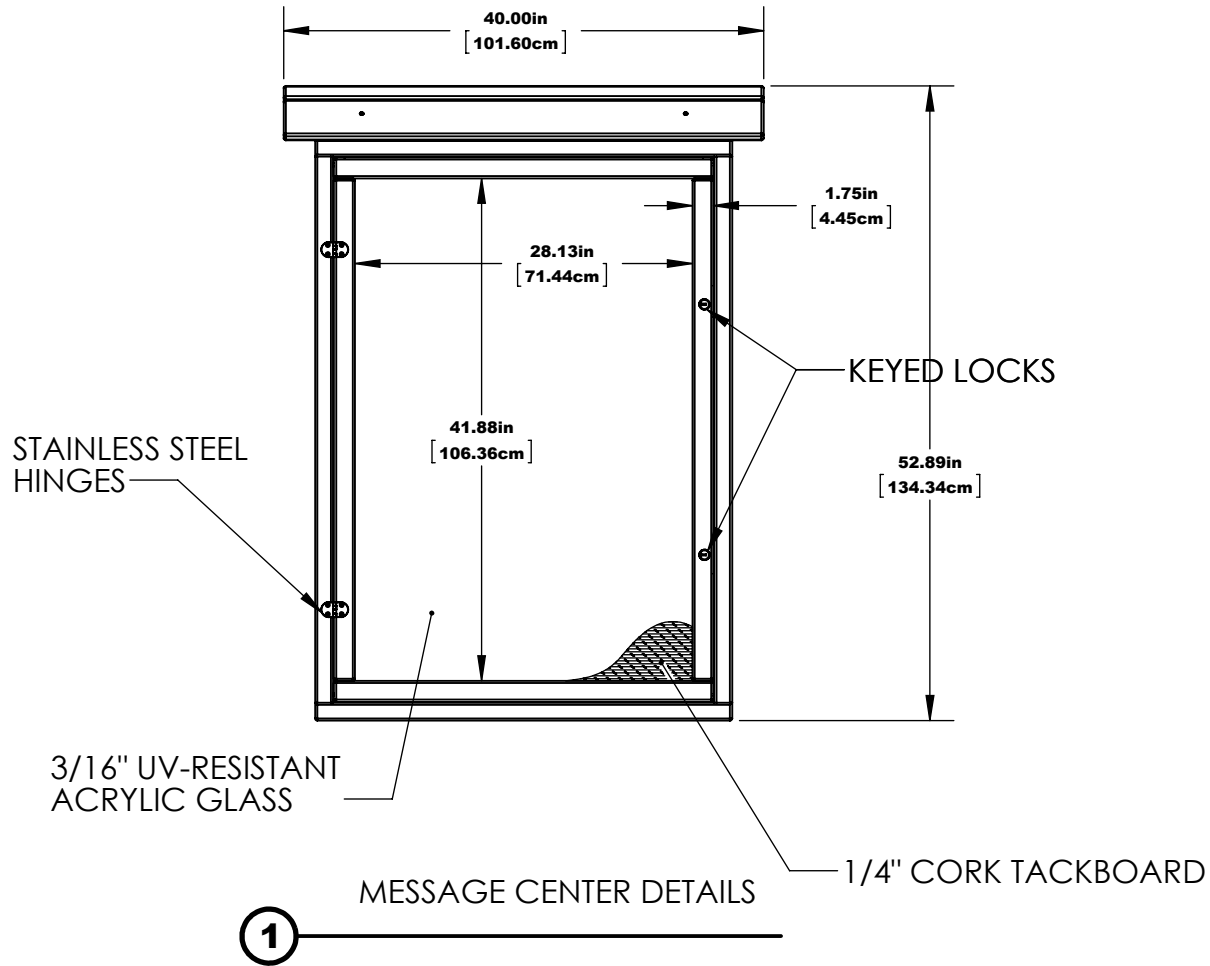


FRONT



SIDE

LARGE VERTICAL MESSAGE CENTER SURFACE MOUNT



HARDWARE: STAINLESS STEEL
 MATERIAL: RECYCLED PLASTIC, ACRYLIC, 1/4" CORK