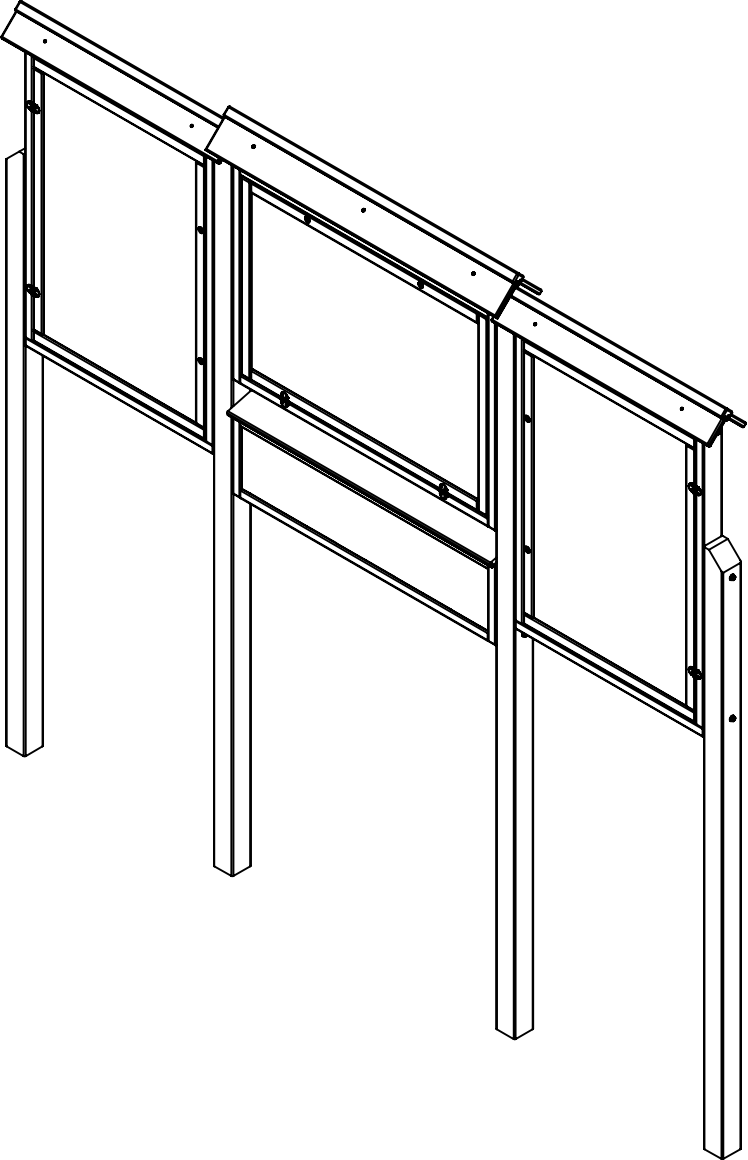
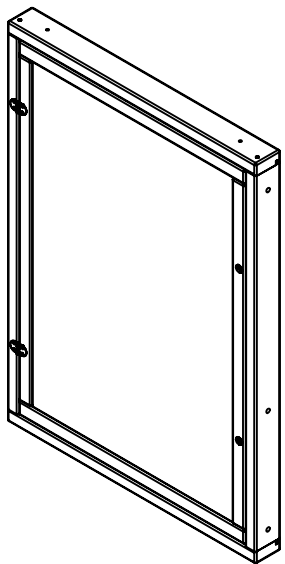


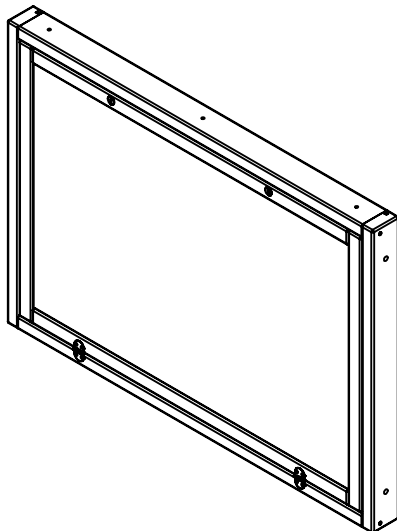
**3-IN-LINE WITH  
LITERATURE RACK  
ASSEMBLY INSTRUCTIONS**



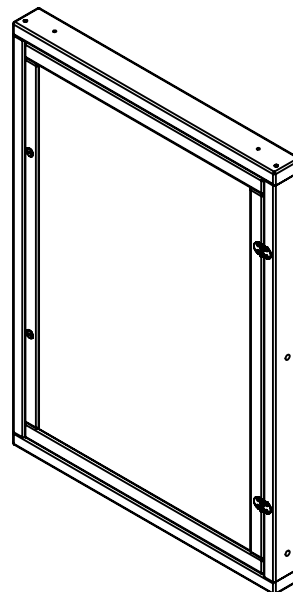
# 3-IN-LINE WITH LITERATURE RACK ASSEMBLY INSTRUCTIONS



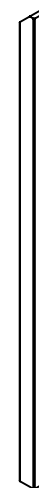
LEFT CASE ASSEMBLY  
X1  
AMC-A0075



HORIZONTAL CASE ASSEMBLY  
X1  
AMC-A0074



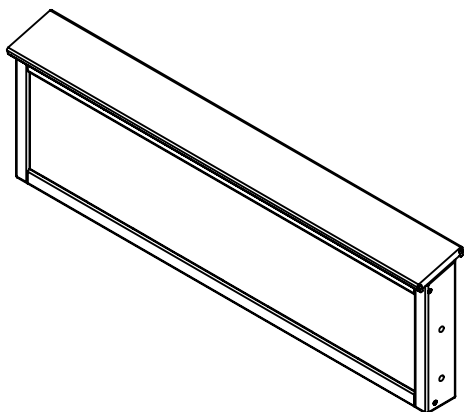
RIGHT CASE ASSEMBLY  
X1  
AMC-A0073



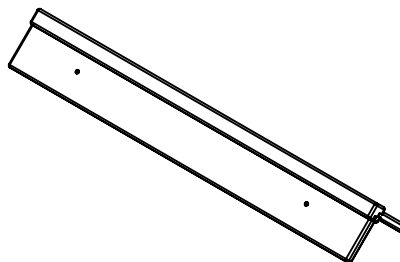
OUTER POST  
X2  
AMC-P0070



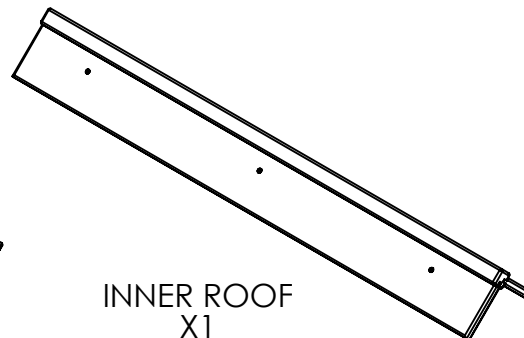
INNER POST  
X2  
AMC-P0252



LITERATURE RACK  
X1  
AMC9007

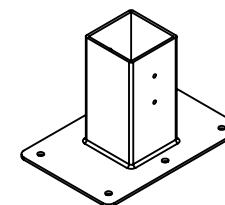


OUTER ROOF  
X2  
AMC-A0013



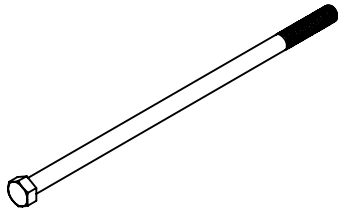
INNER ROOF  
X1  
AMC-A0076

SURFACE MOUNT  
X4  
(FOR SURFACE MOUNTS ONLY)  
AMC9185

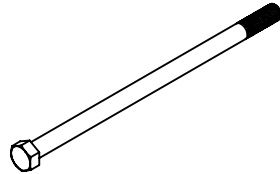


**COMPONENTS  
REQUIRED FOR  
ASSEMBLY**

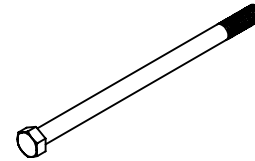
# 3-IN-LINE WITH LITERATURE RACK ASSEMBLY INSTRUCTIONS



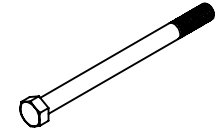
3/8" X 9.00" HEX HD BOLT  
X4  
F0001



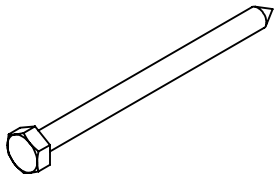
3/8" X 7.00" HEX HD BOLT  
X2  
F0002



3/8" X 6.50" HEX HD BOLT  
X4  
F0003



3/8" X 5.00" HEX HD BOLT  
X2  
F0004



1/4" X 3.50" HEX LAG SCREW  
X7  
F0005



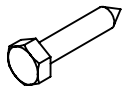
3/8" FLAT WASHER  
X20  
F0006



1/4" FLAT WASHER  
X13  
(6 FOR SURFACE MOUNTS)  
F0007



3/8" NYLOCK NUT  
X8  
F0008



1/4" X 1.50" HEX LAG SCREW  
X8  
F0009

## REQUIRED TOOLS (NOT INCLUDED)

- 1 - 9/16" SOCKET
- 1 - 7/16" SOCKET
- 1 - SCREW GUN
- 1 - 9/16" WRENCH
- 1 - POST HOLE DIGGER

## REQUIRED MATERIALS (NOT INCLUDED)

- READY-TO-MIX CONCRETE
- LOOSE GRAVEL
- WIRE & BRACING MATERIAL

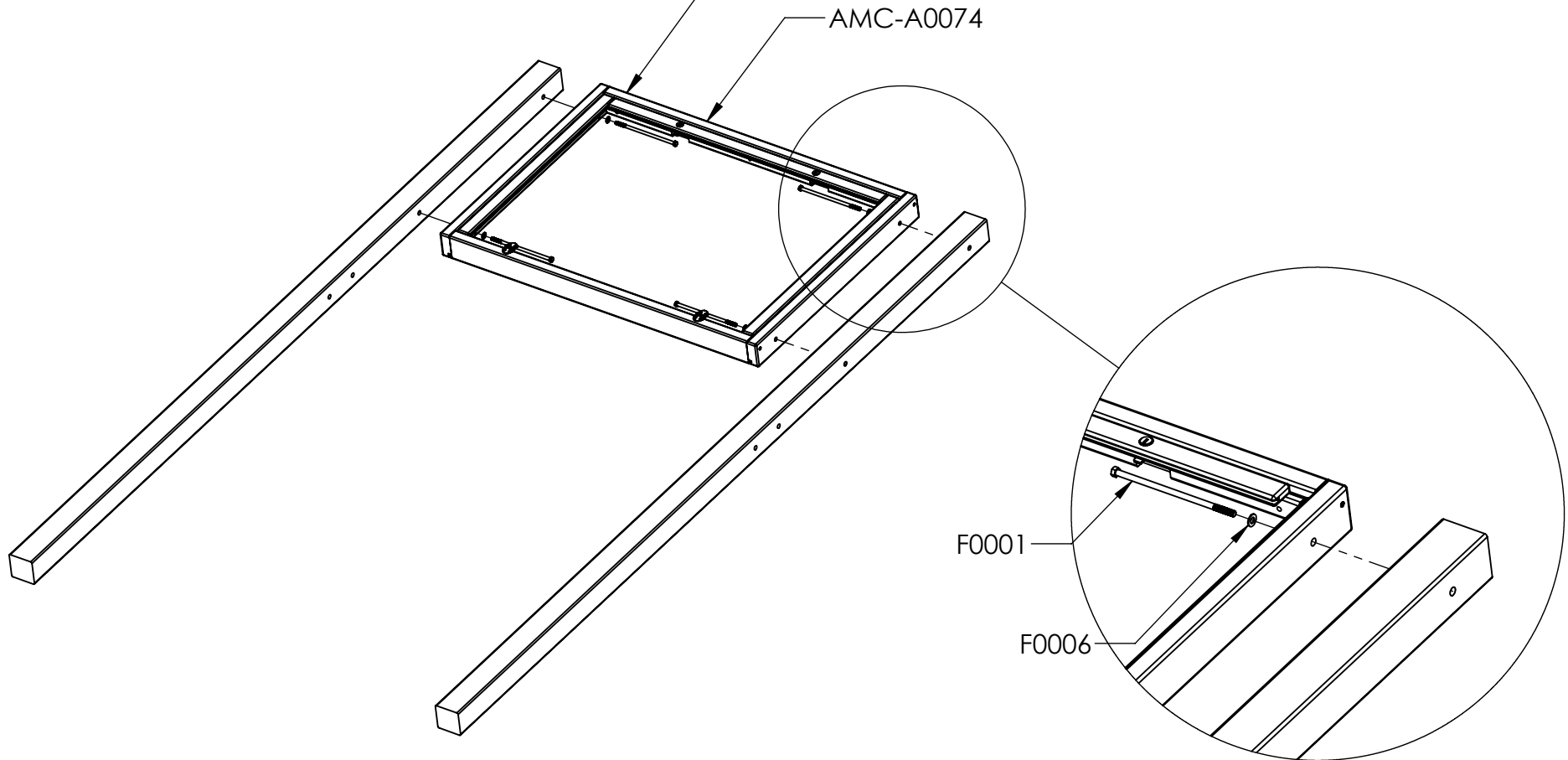
BEFORE INSTALLING PRODUCT, PLEASE CHECK LOCAL CODES TO ENSURE PROPER INSTALLATION. THESE INSTRUCTIONS ARE A GENERAL GUIDELINE ON HOW TO INSTALL PRODUCT. IF UNSURE ON HOW TO INSTALL, PLEASE CONTACT A PROFESSIONAL.

**INCLUDED HARDWARE &  
REQUIRED TOOLS FOR  
ASSEMBLY**

# 3-IN-LINE WITH LITERATURE RACK ASSEMBLY INSTRUCTIONS

NOTE: SOME COMPONENTS HAVE BEEN REMOVED FOR CLARITY.

NOTE: ROOF HOLES SHOULD BE FACING UP



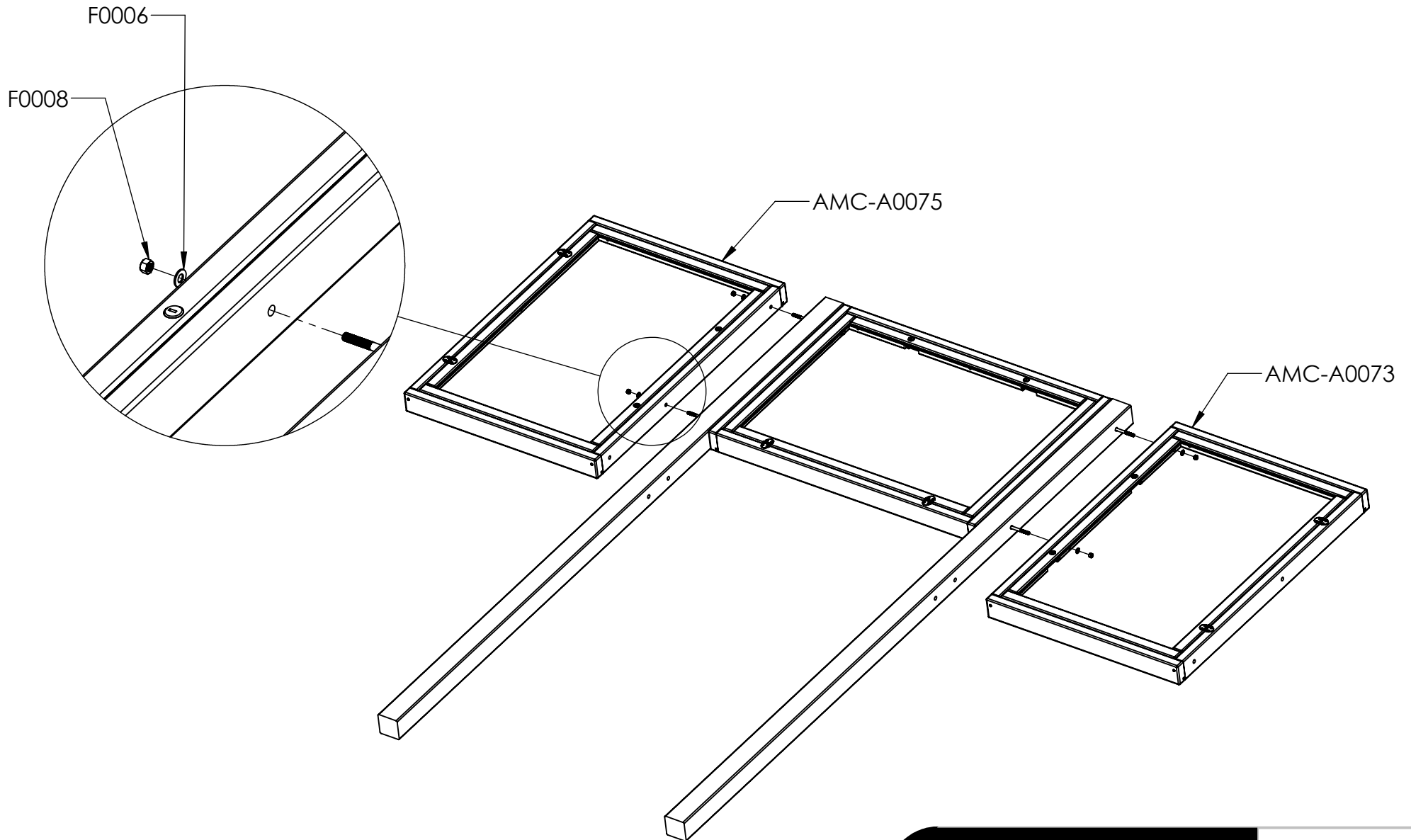
BEFORE INSTALLING PRODUCT, PLEASE CHECK LOCAL CODES TO ENSURE PROPER INSTALLATION. THESE INSTRUCTIONS ARE A GENERAL GUIDELINE ON HOW TO INSTALL PRODUCT. IF UNSURE ON HOW TO INSTALL, PLEASE CONTACT A PROFESSIONAL.

**ATTACH POSTS**

**3/10**

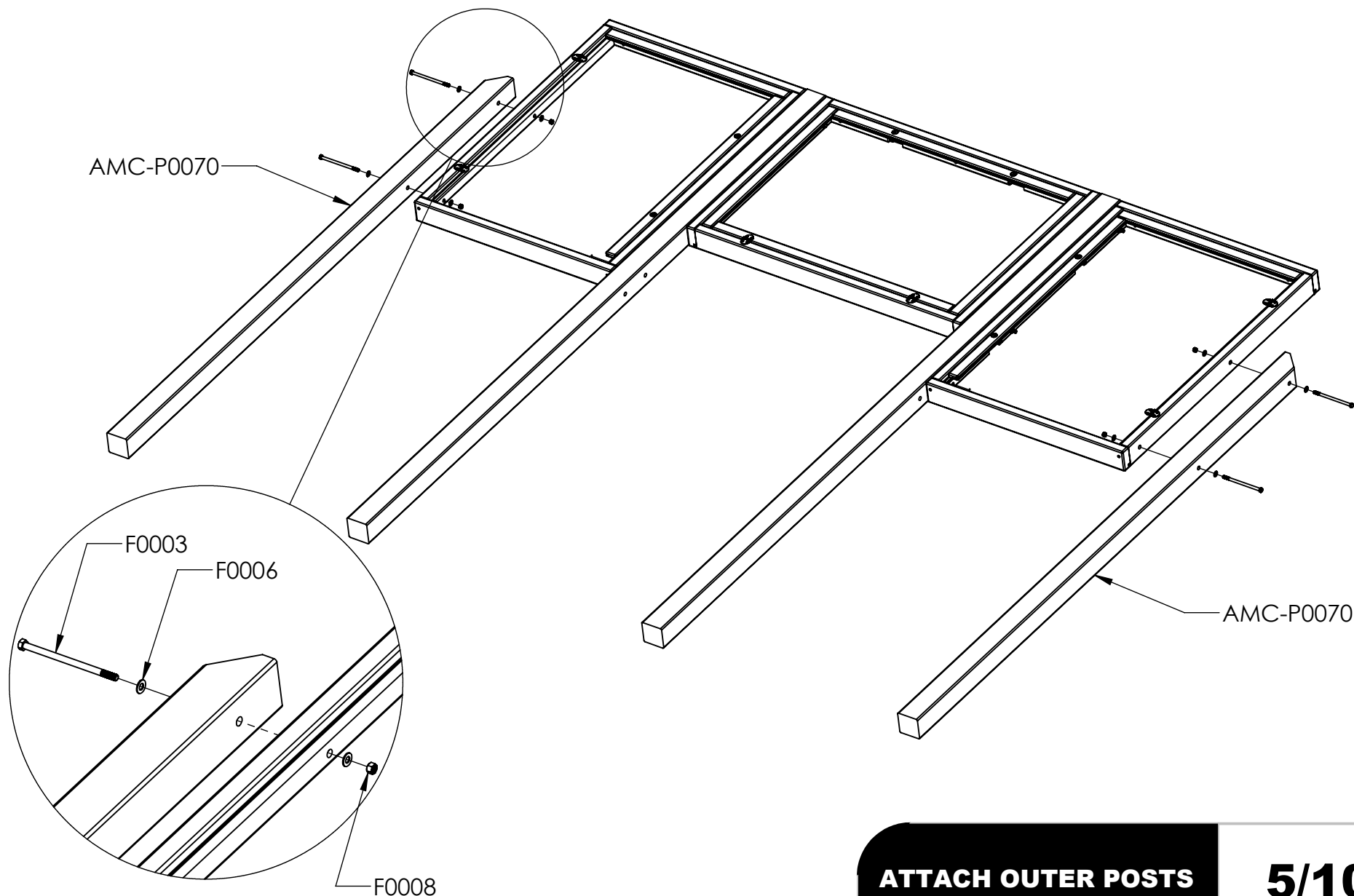
# 3-IN-LINE WITH LITERATURE RACK ASSEMBLY INSTRUCTIONS

NOTE: SOME COMPONENTS HAVE BEEN REMOVED FOR CLARITY.



# 3-IN-LINE WITH LITERATURE RACK ASSEMBLY INSTRUCTIONS

NOTE: SOME COMPONENTS HAVE BEEN REMOVED FOR CLARITY.



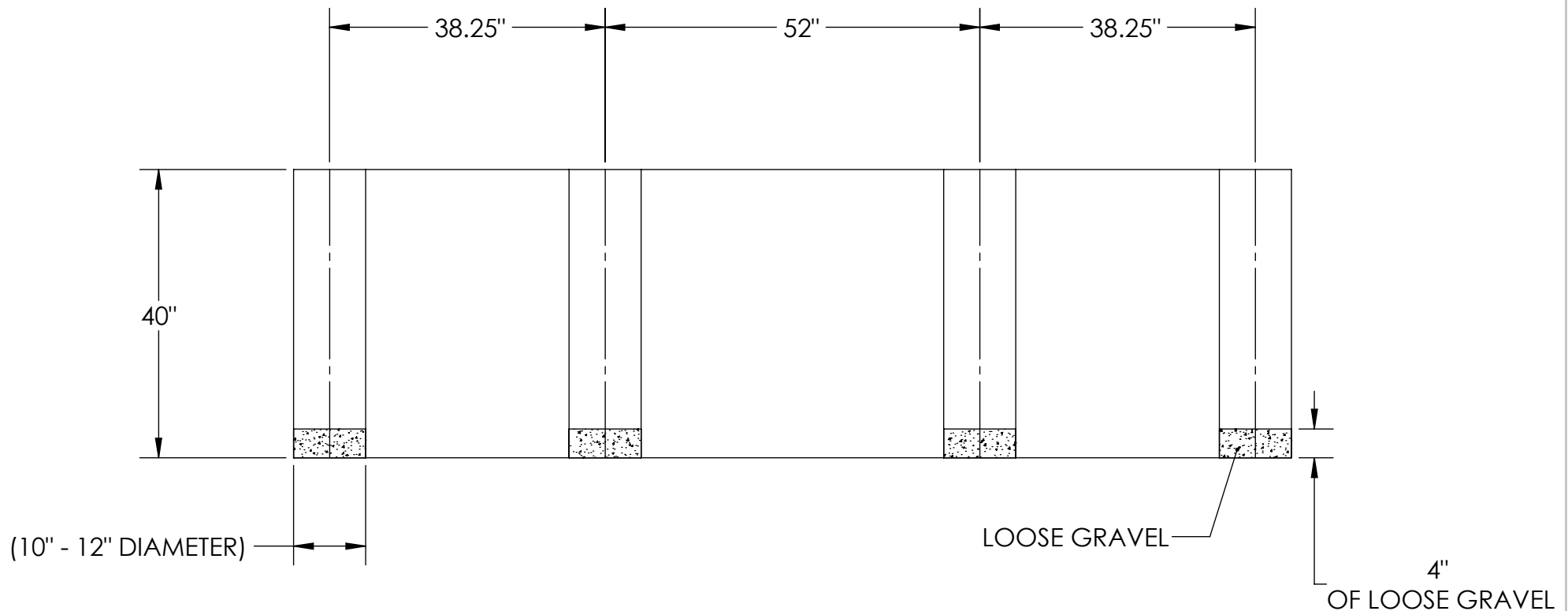
**ATTACH OUTER POSTS**

**5/10**

# 3-IN-LINE WITH LITERATURE RACK ASSEMBLY INSTRUCTIONS

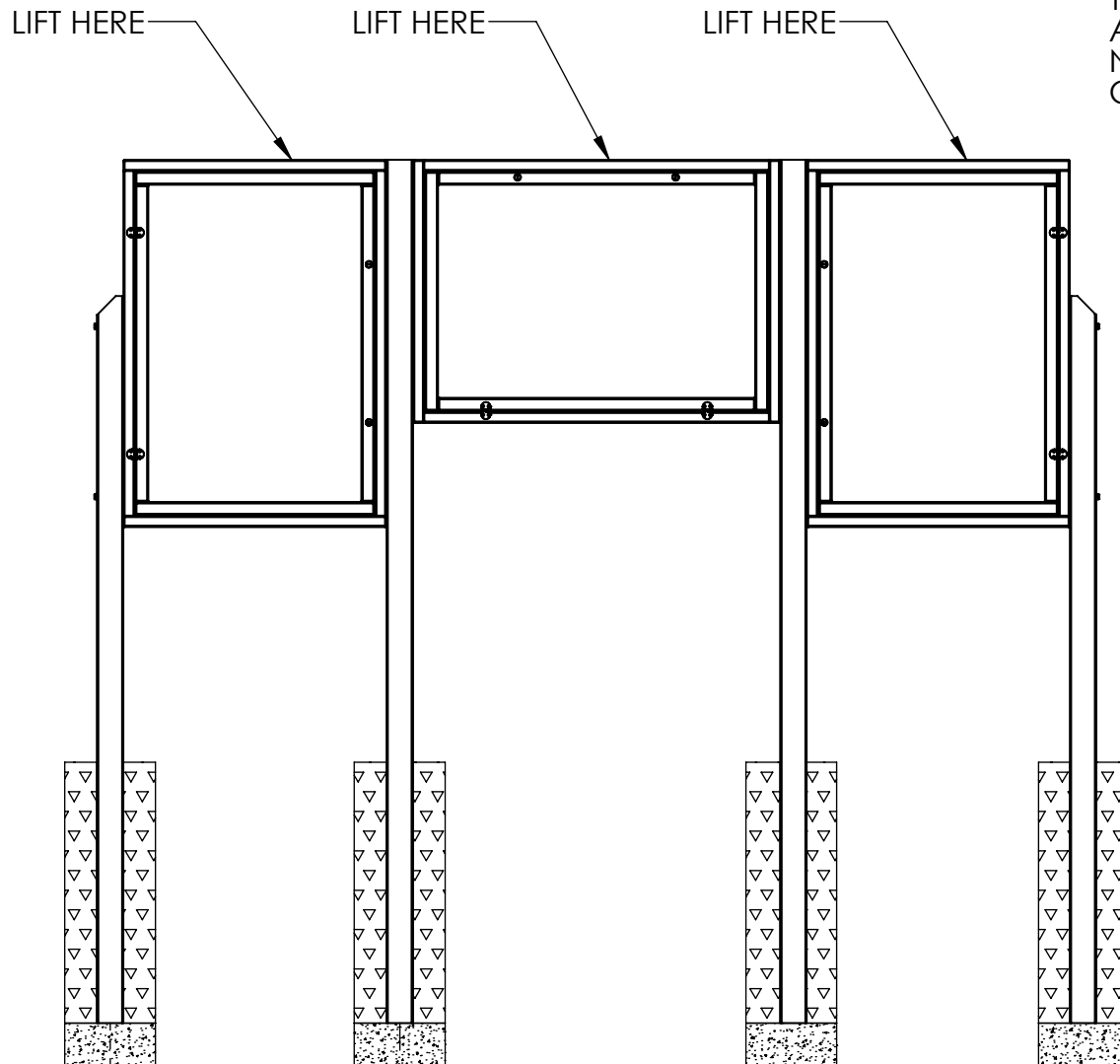
USING POST HOLE DIGGER, DIG FOUR HOLES IN A LINE AS SHOWN BELOW. FOR PROPER DRAINAGE, FILL EACH HOLE WITH APPROXIMATELY 4" OF LOOSE GRAVEL.

**PLEASE NOTE POSTS HOLES MAY NEED TO BE DEEPER THAN 40" DEPENDING UPON LOCATION & SOIL TYPE. BE SURE TO CHECK LOCAL CODES BEFORE INSTALLING.**



**BEFORE INSTALLING PRODUCT, PLEASE CHECK LOCAL CODES TO ENSURE PROPER INSTALLATION. THESE INSTRUCTIONS ARE A GENERAL GUIDELINE ON HOW TO INSTALL PRODUCT. IF UNSURE ON HOW TO INSTALL, PLEASE CONTACT A PROFESSIONAL.**

# 3-IN-LINE WITH LITERATURE RACK ASSEMBLY INSTRUCTIONS



WITH HELP FROM OTHER PEOPLE, CAREFULLY TILT MESSAGE CENTER ASSEMBLY INTO HOLES AND BRACE MESSAGE CENTER. LEVEL AS NECESSARY AND FILL HOLES WITH READ-TO-MIX CONCRETE. ALLOW TO DRY AND REMOVE BRACING.

BEFORE INSTALLING PRODUCT, PLEASE CHECK LOCAL CODES TO ENSURE PROPER INSTALLATION. THESE INSTRUCTIONS ARE A GENERAL GUIDELINE ON HOW TO INSTALL PRODUCT. IF UNSURE ON HOW TO INSTALL, PLEASE CONTACT A PROFESSIONAL.

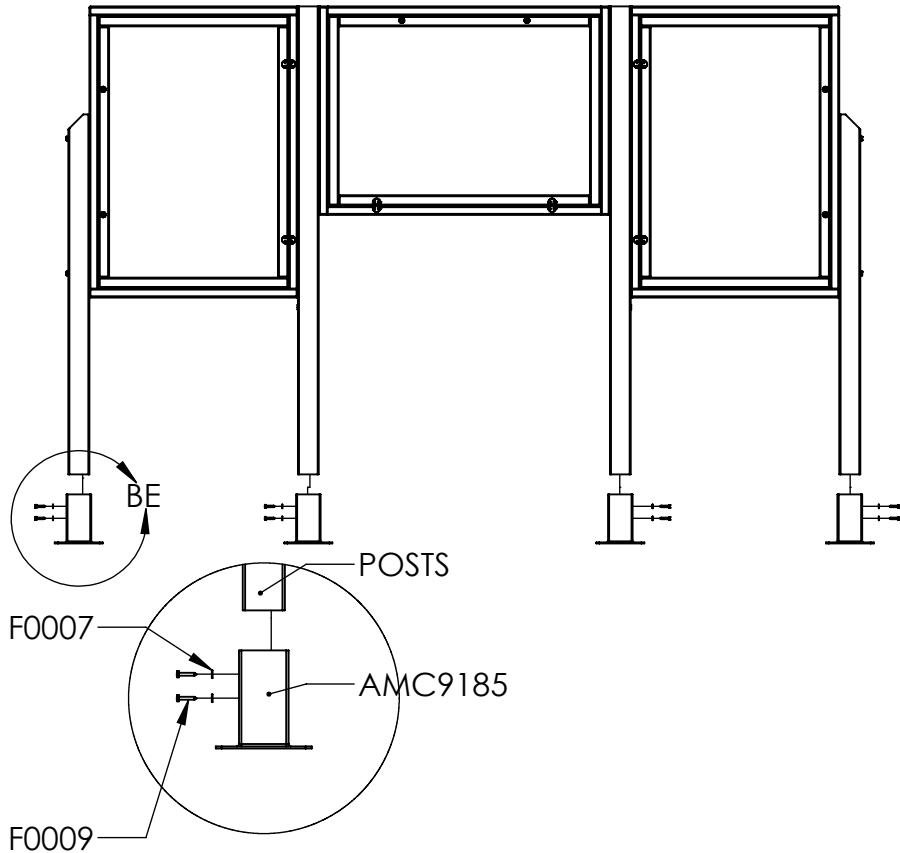
**PLACE MESSAGE CENTER  
IN GROUND**

**7/10**



# 3-IN-LINE WITH LITERATURE RACK ASSEMBLY INSTRUCTIONS

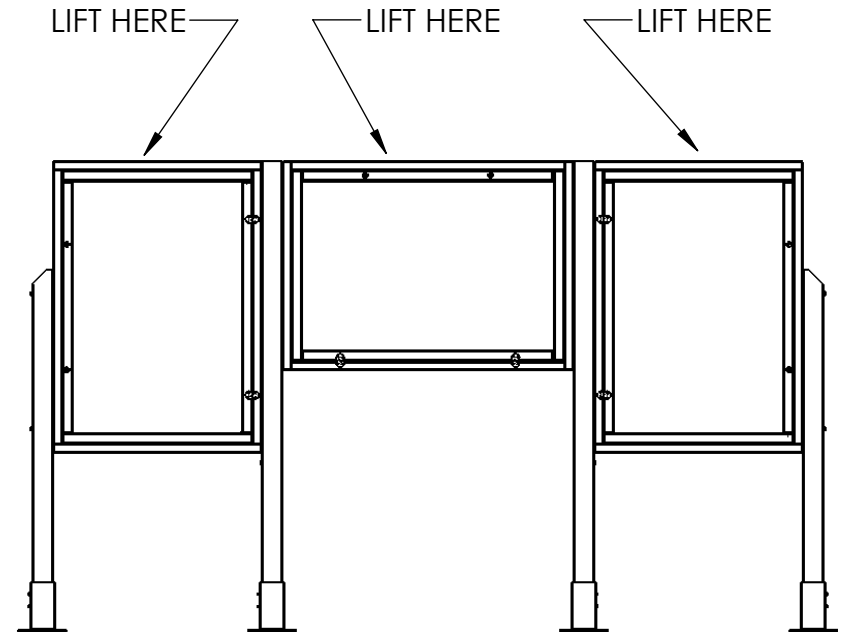
ATTACH THE SURFACE MOUNT BASES TO THE ASSEMBLY



DETAIL BE  
SCALE 1 : 16

**BEFORE INSTALLING PRODUCT, PLEASE CHECK LOCAL CODES TO ENSURE PROPER INSTALLATION. THESE INSTRUCTIONS ARE A GENERAL GUIDELINE ON HOW TO INSTALL PRODUCT. IF UNSURE ON HOW TO INSTALL, PLEASE CONTACT A PROFESSIONAL.**

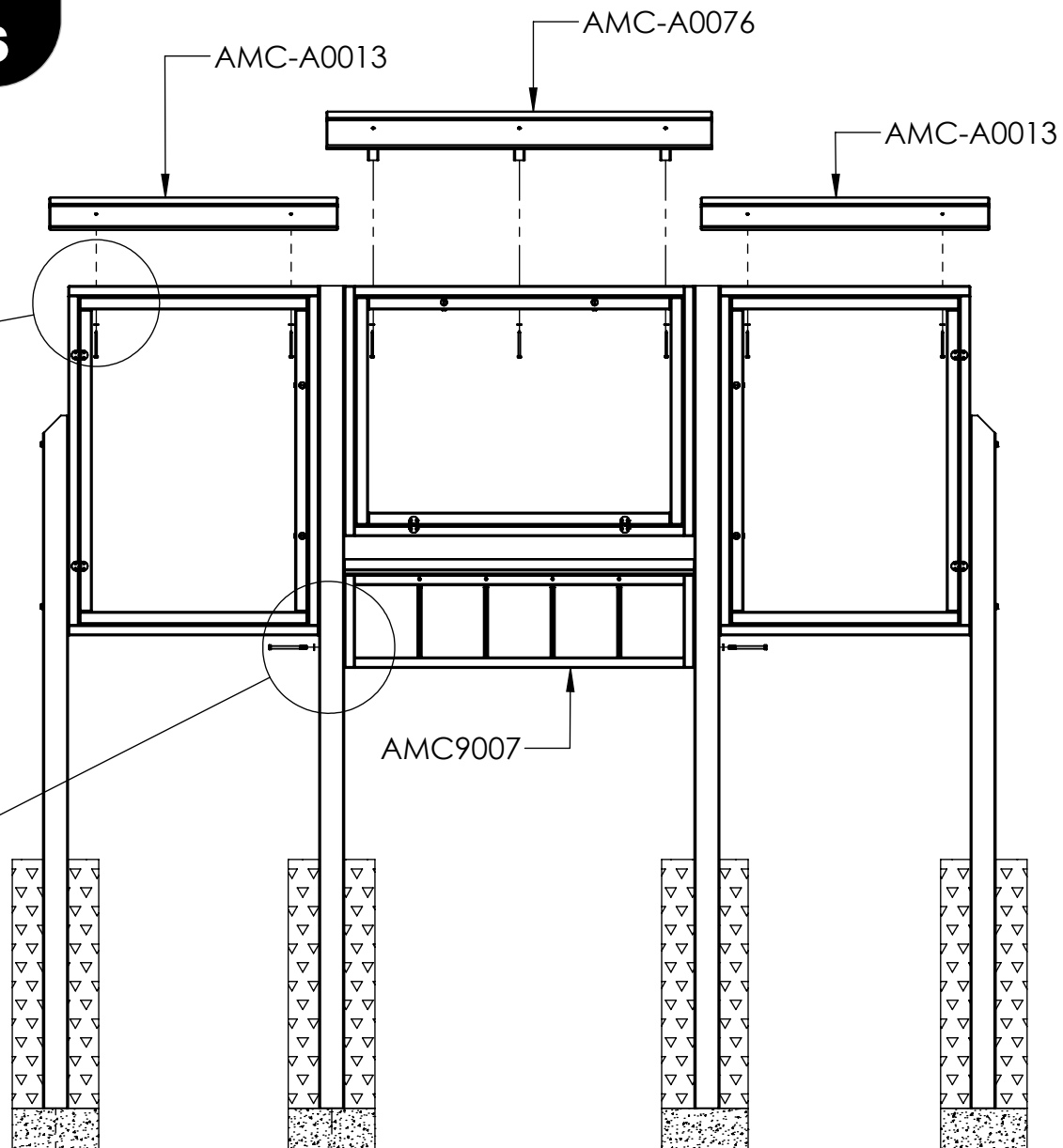
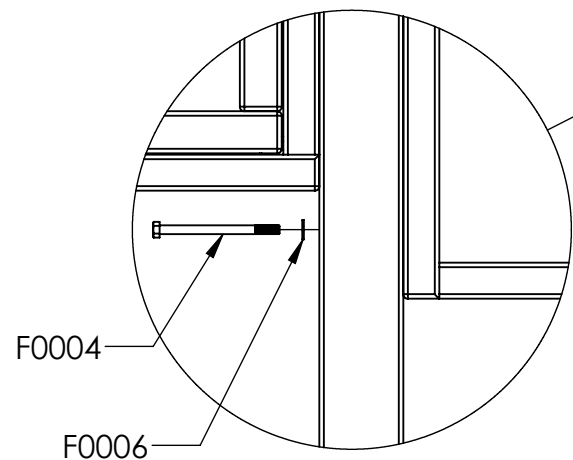
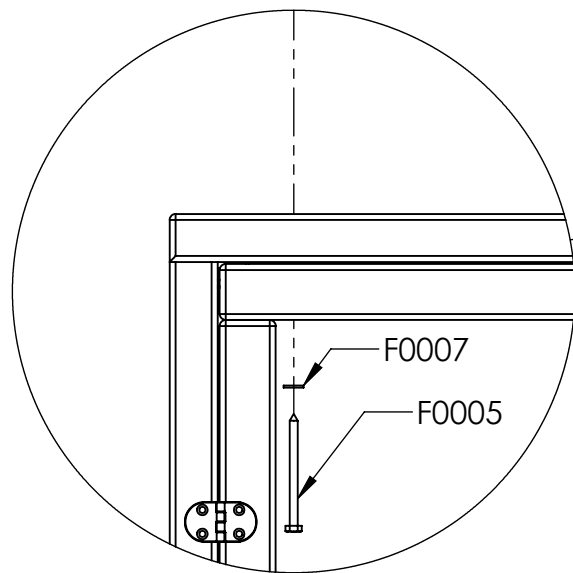
WITH HELP FROM OTHER PEOPLE, CAREFULLY TILT MESSAGE CENTER ASSEMBLY UPRIGHT. LEVEL AS NECESSARY AND ATTACH SURFACE MOUNT BASES SECURELY INTO GROUND.



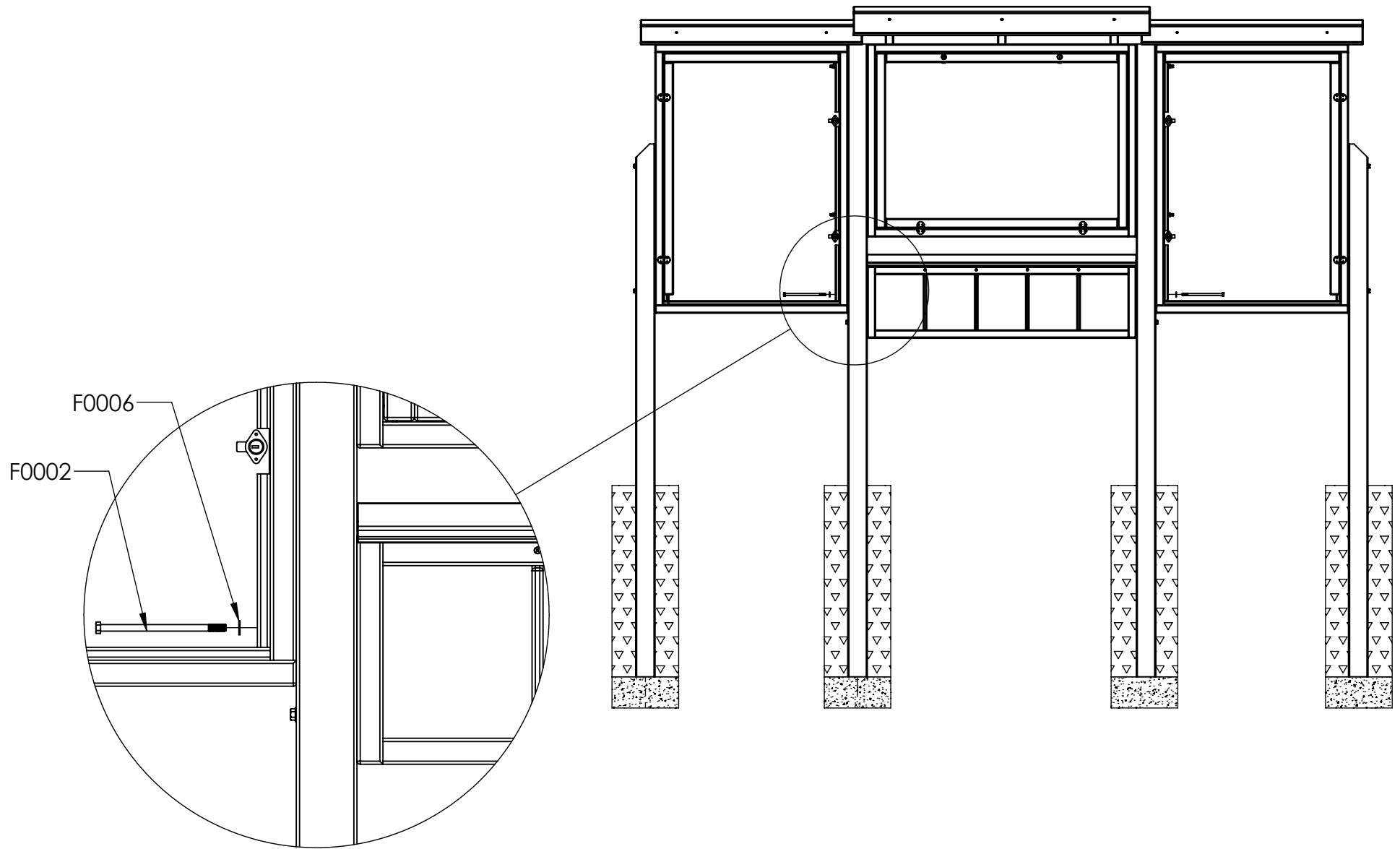
**PLACING MESSAGE CENTER ON GROUND**

**8/10**

# 3-IN-LINE WITH LITERATURE RACK ASSEMBLY INSTRUCTIONS



# 3-IN-LINE WITH LITERATURE RACK ASSEMBLY INSTRUCTIONS



**ATTACH ROOFS &  
LITERATURE RACK**

**10/10**