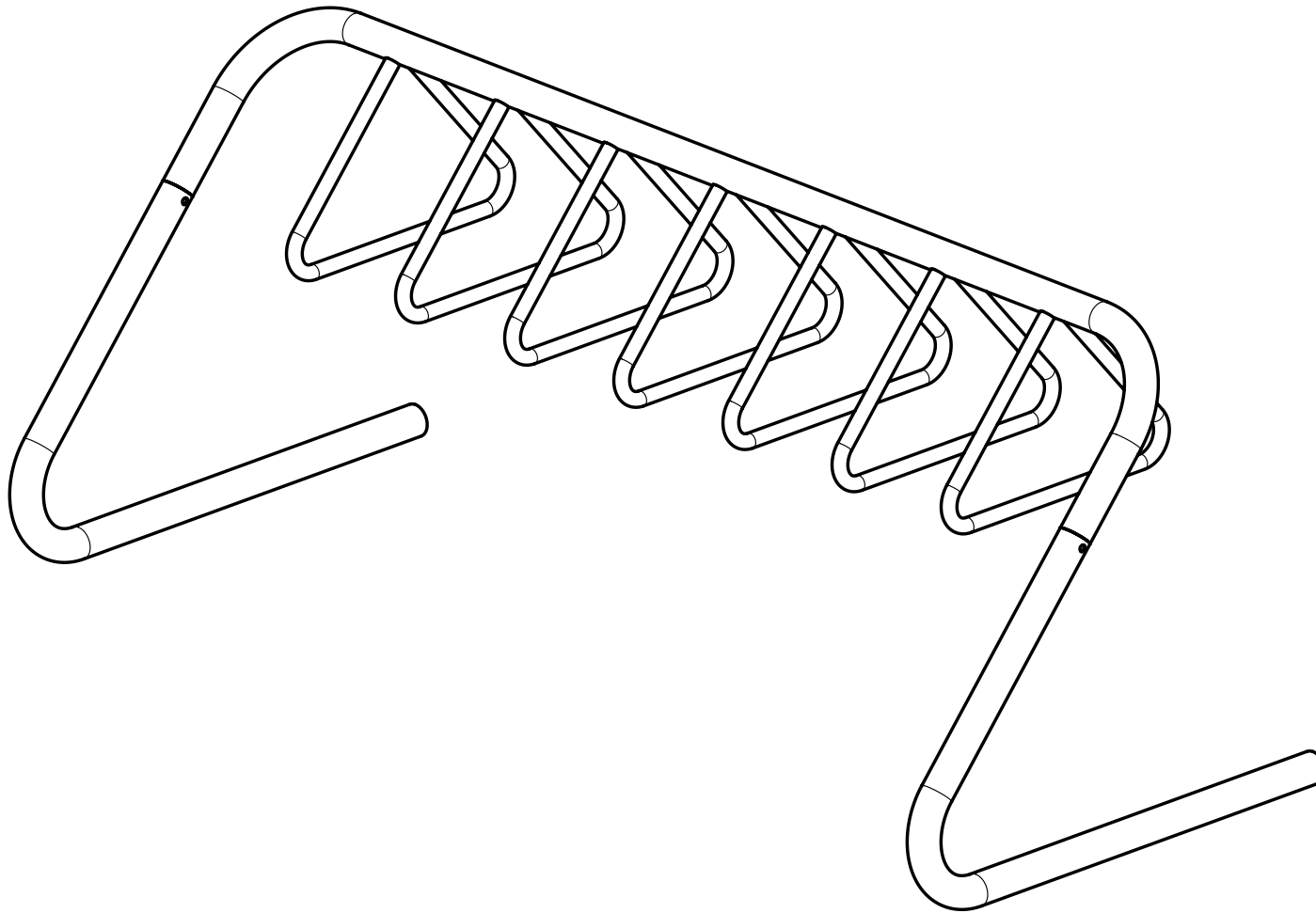


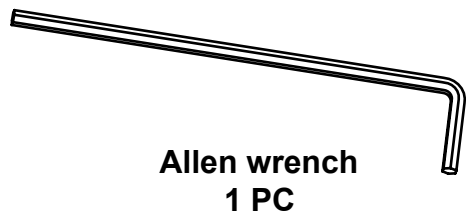
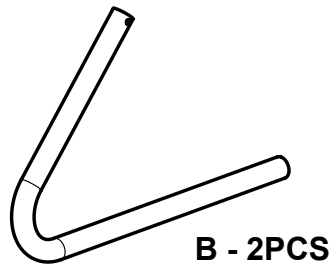
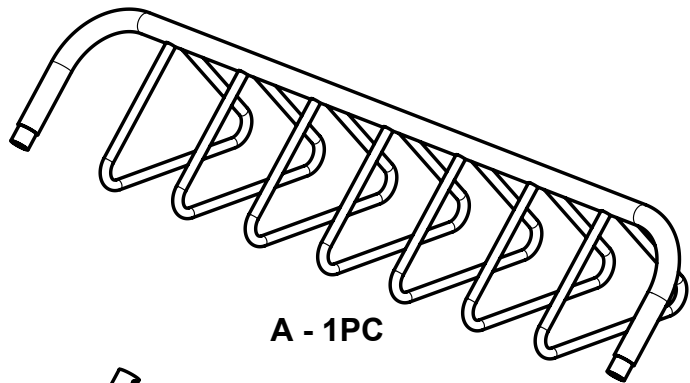
INSTRUCTIONS

TRIANGULAR LOOP 8-BIKE RACK



INSTRUCTIONS

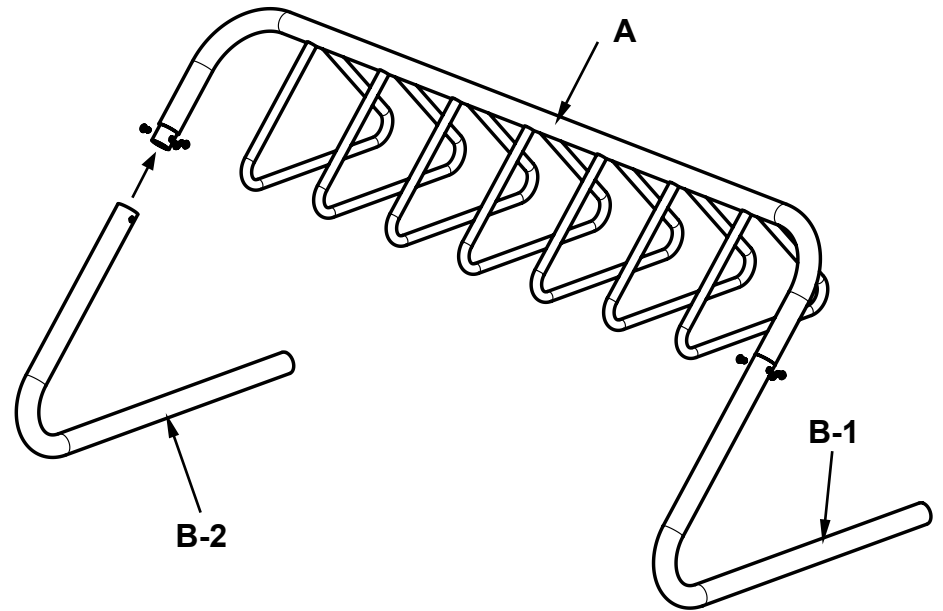
Before assembly, please make sure all components & hardware are included.



HEX HEAD BOLTS
M8X16 - 6 PCS



M8 Flat Washer
6 PCS



Step 1: According to diagram, attach two ends B-1 and B-2 to A.
Use provided hardware to complete the assembly.
Tighten all bolts.

Note:

Please DO NOT over tighten the screws.

Please be aware that the drain holes on D-1 and D-2 should be facing down to the ground.