

TABLE INSTRUCTIONS

CF1135 REV# 2
9-12-2022

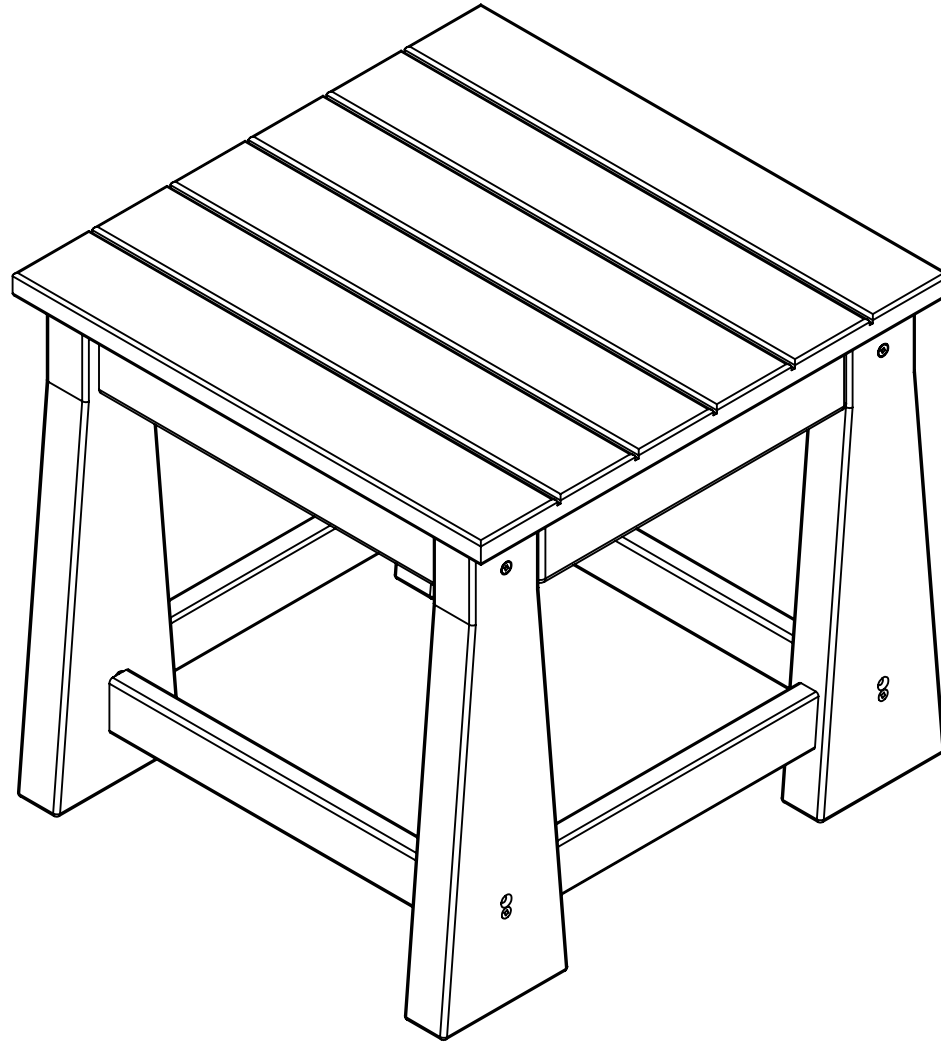
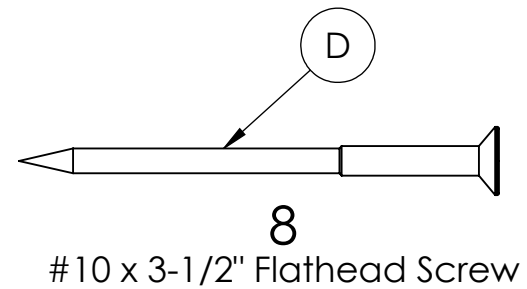
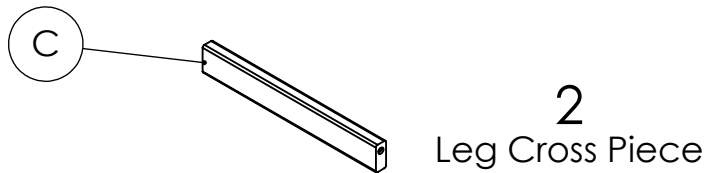
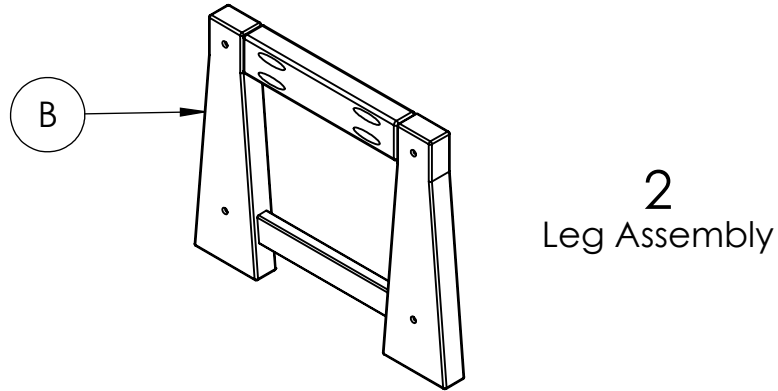
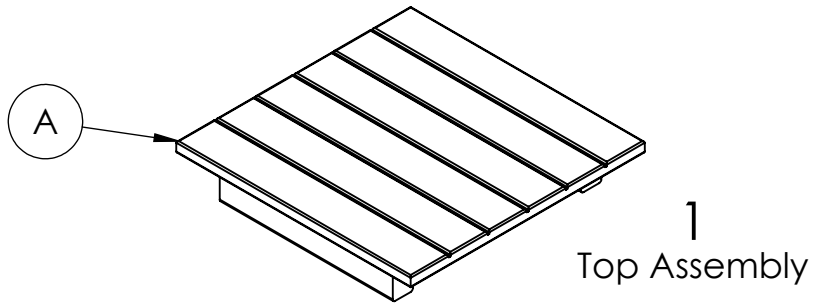


TABLE INSTRUCTIONS



REQUIRED TOOLS (NOT INCLUDED)

- POWER DRILL
- #2 SQUARE DRIVE

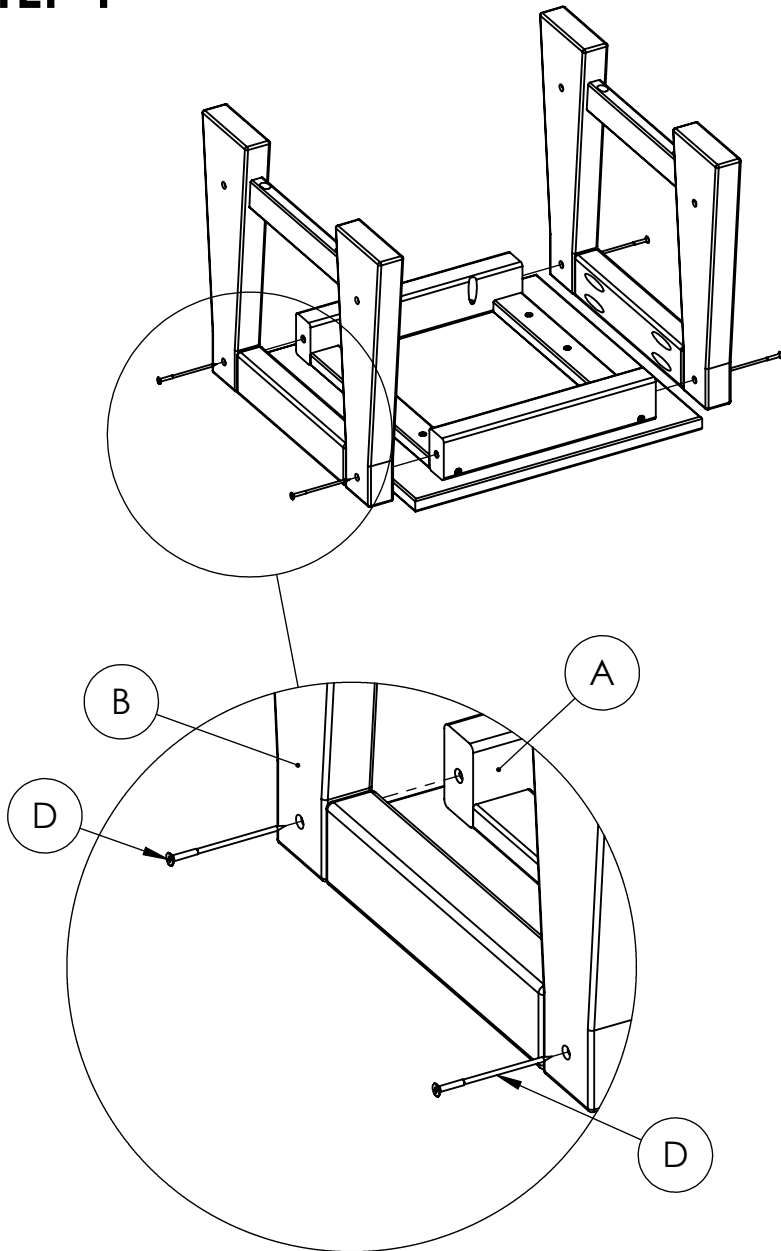
**NOTE: IT IS IMPORTANT TO KEEP ALL
SCREWS LOOSE DURING ASSEMBLY
UNTIL ENTIRE TABLE IS ASSEMBLED**

**HARDWARE &
TOOLS REQUIRED
FOR ASSEMBLY**

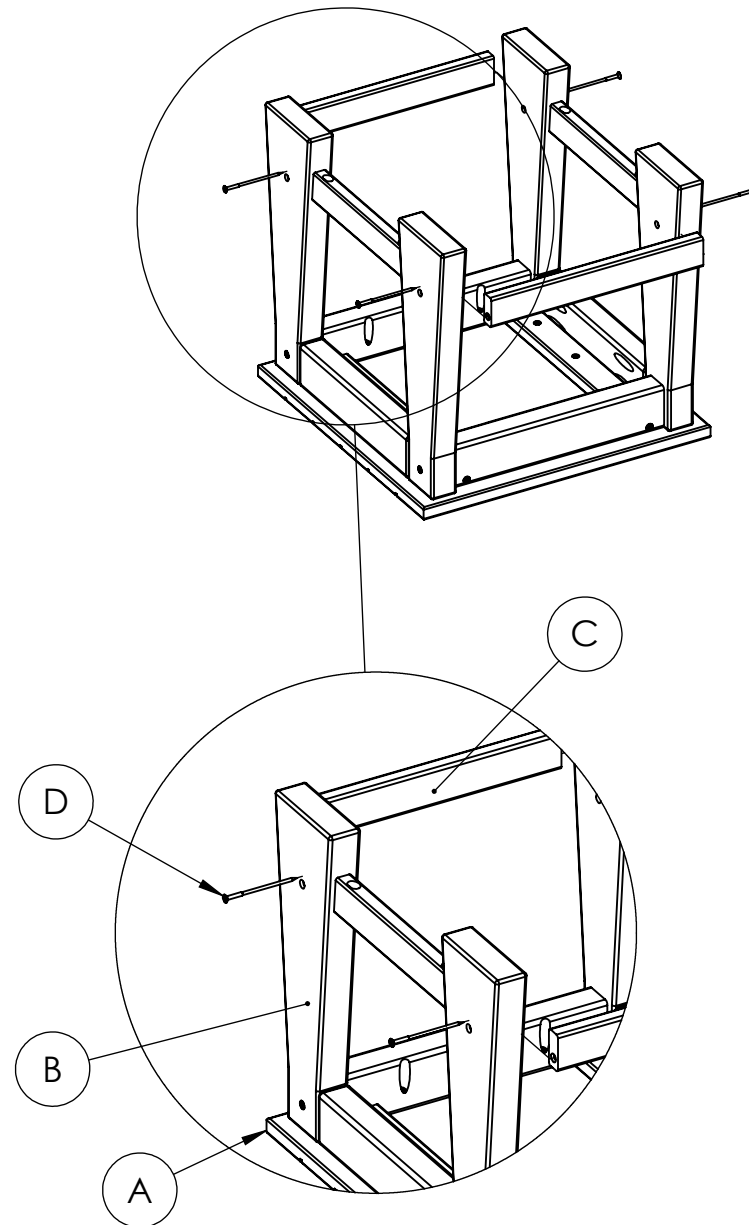
2/4

TABLE INSTRUCTIONS

STEP 1



STEP 2



REPEAT STEPS 1 & 2 FOR BOTH SIDES

ASSEMBLY

3/4